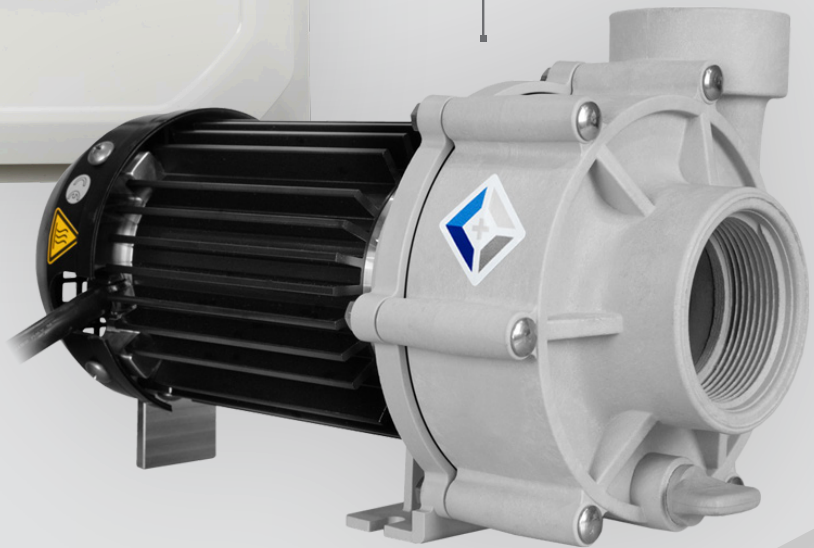




SPEED
CONTROLLER
& POWER SUPPLY

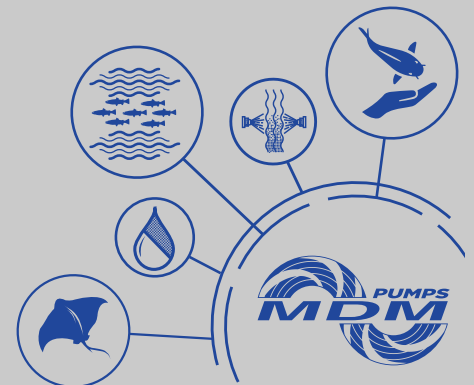


DC MOTOR
VARIABLE SPEED
PUMP



COLOSSAL PERFORMANCE & CONTROL

The MDM Sequence® Colossus 750 DC+ pump delivers 484 LPM with controllable speed, enabling both direct and remote IoT control. Featuring Colossus impeller technology, it increases flow by 16% compared to legacy designs. With single-phase power and DC motor efficiency, it meets the demand for high flow and low energy consumption in a small footprint.



719.634.8202 | sequencepumps.com | Manufactured in Colorado, USA.
Sequence® is a registered trademark of MDM Incorporated.

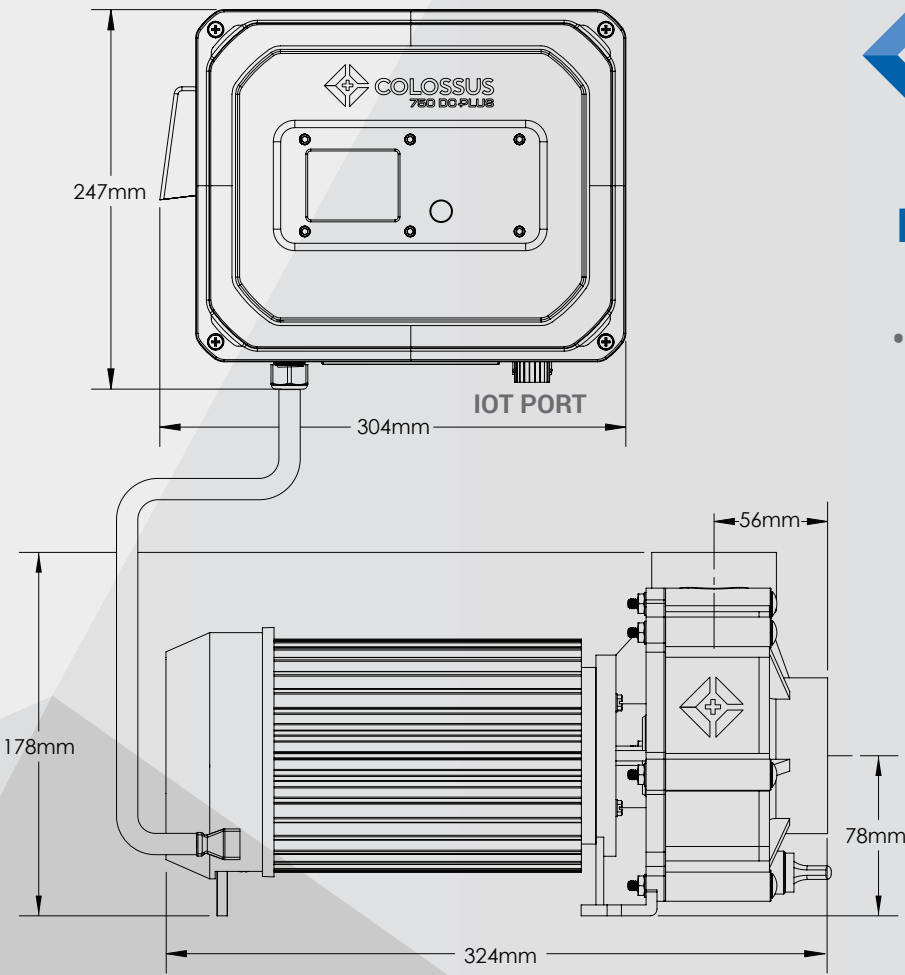
SPEED CONTROLLER & POWER SUPPLY



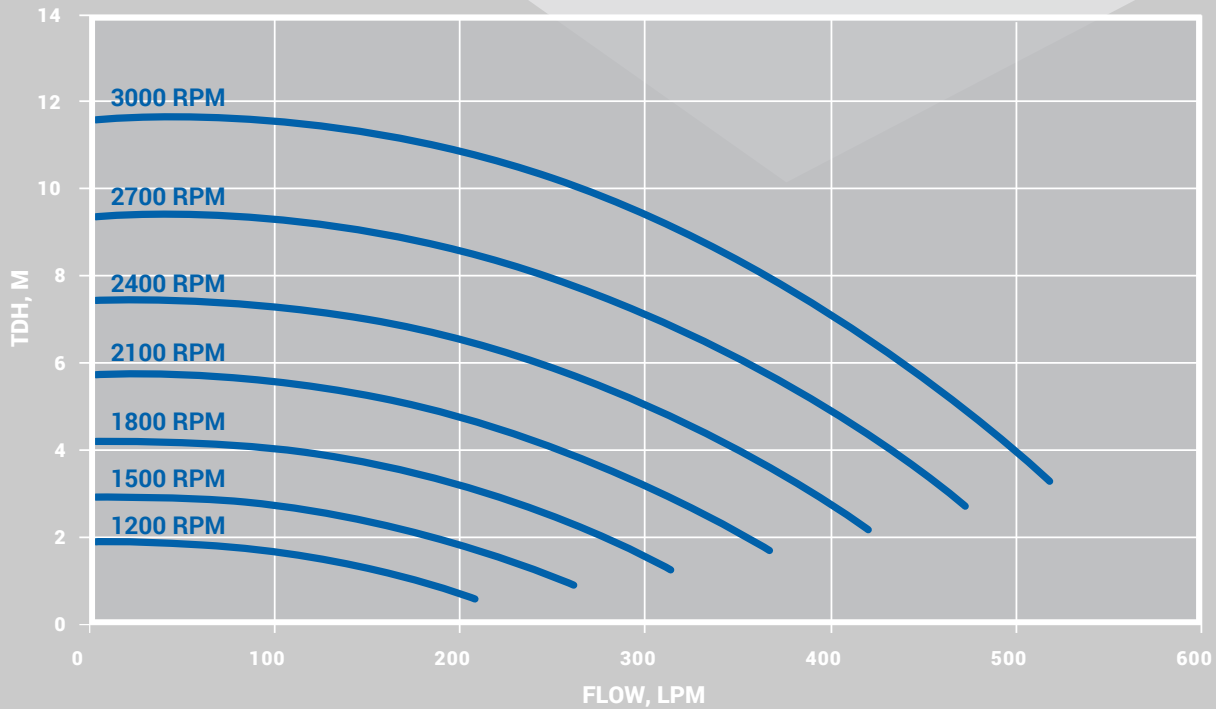
FEATURES & BENEFITS

- Overload & Run-Dry Protection
- IoT Controller Ready
- Compact Footprint
- Five Year Warranty
- 484 Liters Per Minute*
- 11.6 Feet of Head**
- Speed Control
- Quiet Operation
- 110-240v / 50-60hz

*End of Curve Operation
**Shut Off Head



COLOSSUS 750 DC PLUS



719.634.8202 | sequencepumps.com | Manufactured in Colorado, USA.
Sequence® is a registered trademark of MDM Incorporated.

