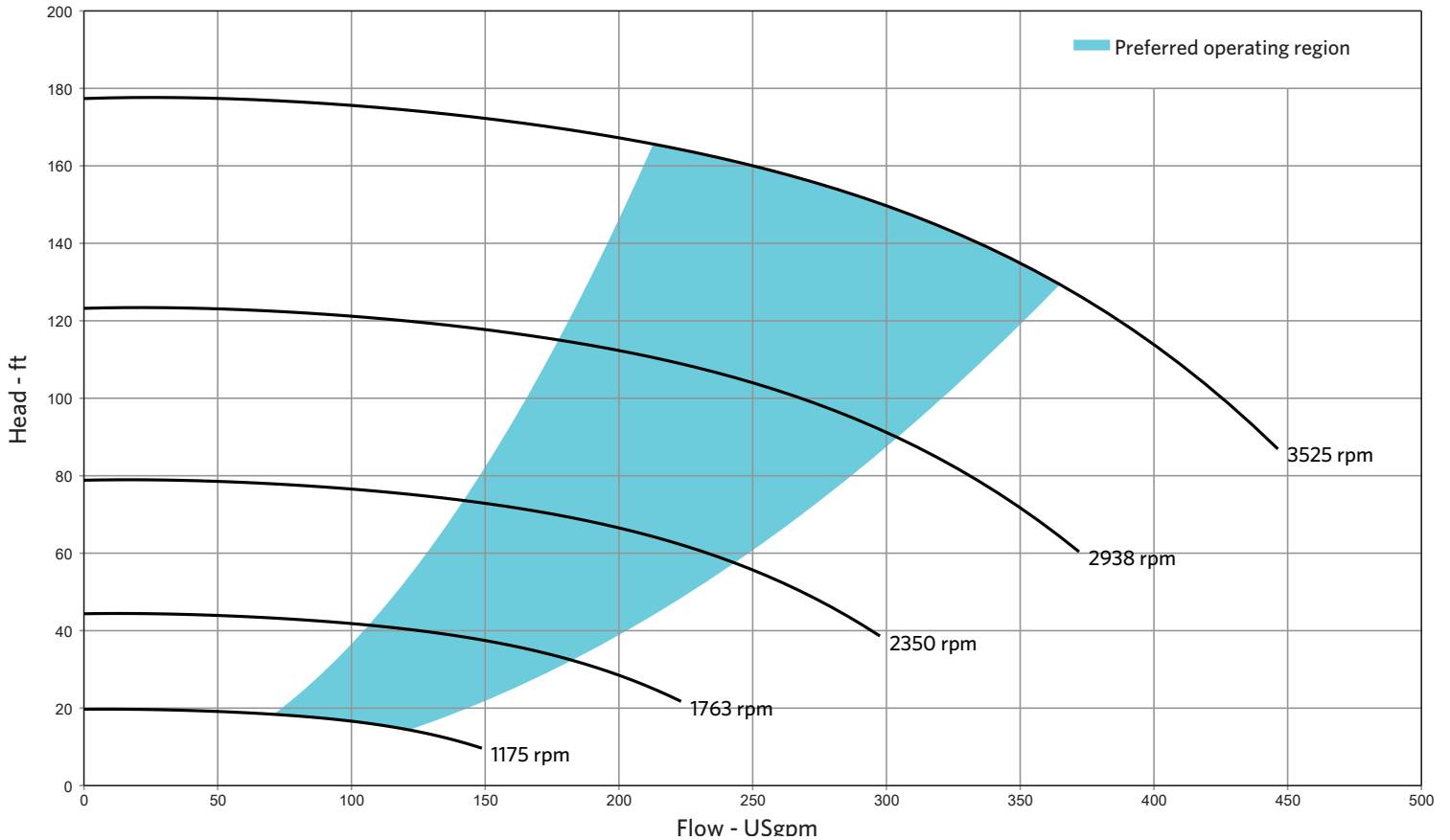
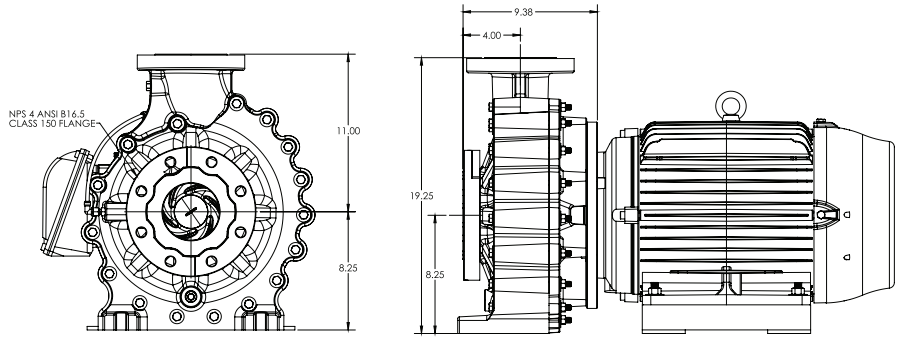


**Dimensions and illustrations are approximate and for reference only. Motors are subject to change at any time.*

The GENESYS® 3x2-6 vinyl ester and polyester end-suction centrifugal pump line is designed and engineered to provide highly efficient pumping solutions. The fiberglass reinforced polymer case construction with the option of no wetted metal parts gives it compatibility with many aggressive chemistries and corrosive fluids. The unique enclosed-impeller and time-tested volute design render 2 pole performance at 78% efficiency.

- 70 gpm [POR - 592 rpm]
- 360 gpm [POR - 1780 rpm]
- 175 Feet Head Shut-Off
- Peak Efficiency 78%
- ANSI/ASME - B73lean
- Highly Corrosion Resistant Proprietary FRP Formulation

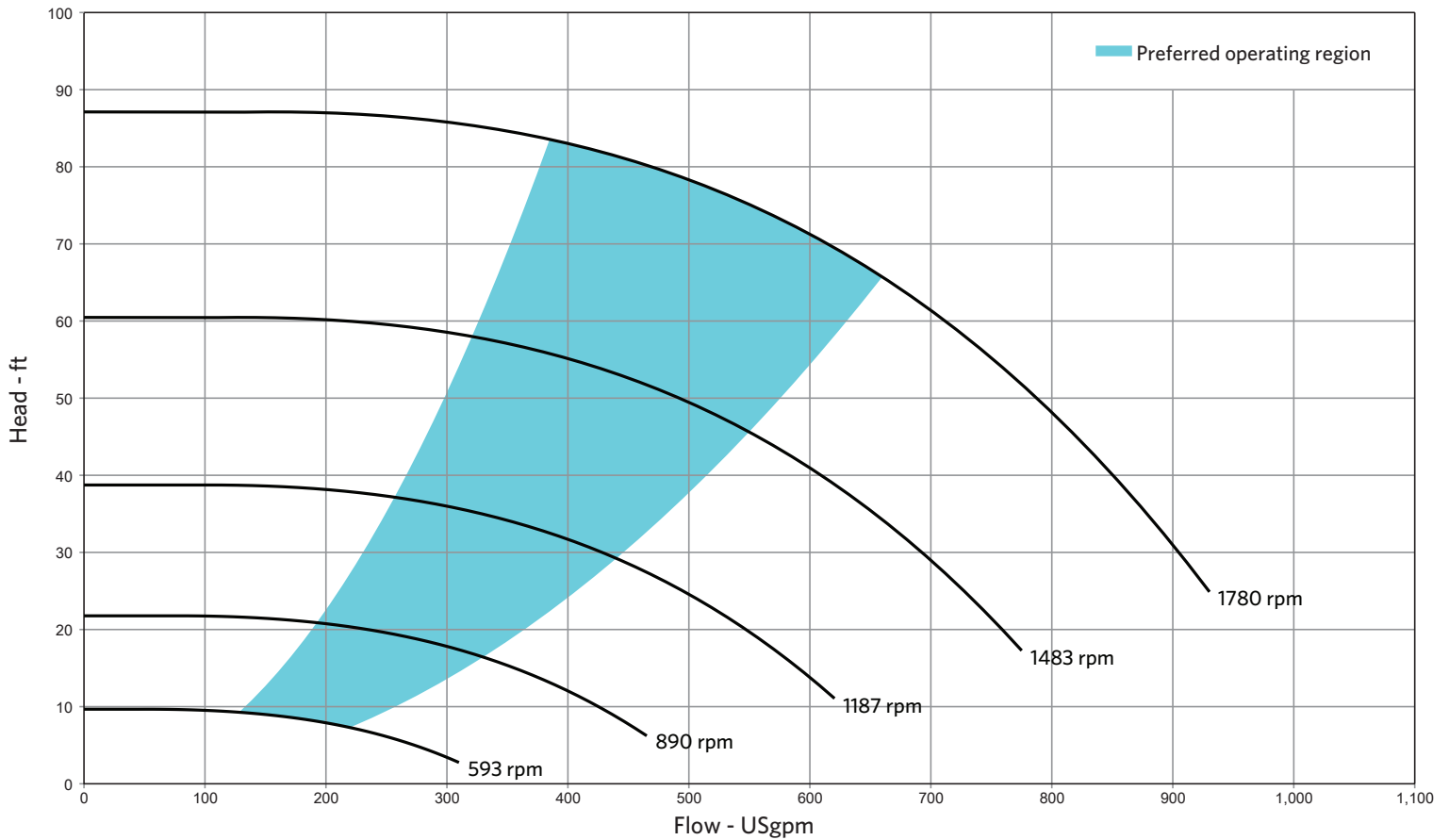


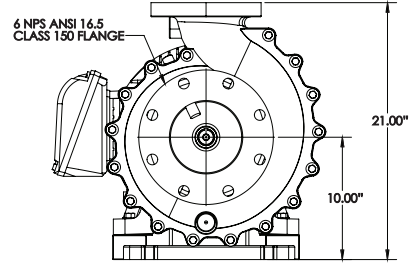
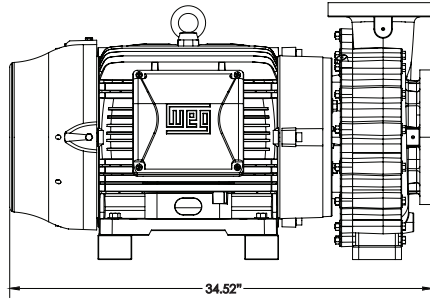
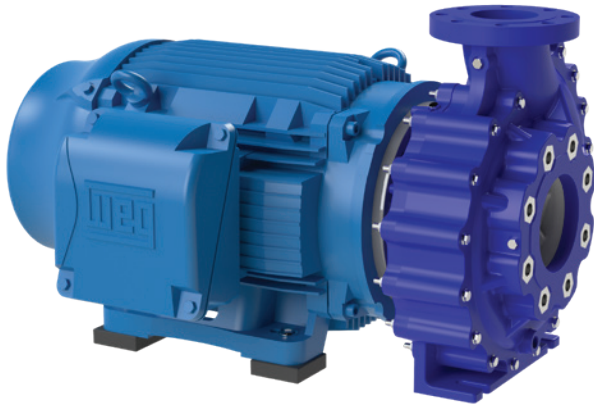


**Dimensions and illustrations are approximate and for reference only.
Motors are subject to change at any time.*

The GENESYS® 4x3-9 vinyl ester and polyester end-suction centrifugal pump line is designed and engineered to provide highly efficient pumping solutions. The fiberglass reinforced polymer case construction with the option of no wetted metal parts gives it compatibility with many aggressive chemistries and corrosive fluids. The unique enclosed-impeller and time-tested volute design render 4 pole performance at 84% efficiency.

- 140 gpm [POR - 592 rpm]
- 650 gpm [POR - 1780 rpm]
- 87 Feet Head Shut-Off
- Peak Efficiency 84%
- ANSI/ASME - B73lean
- Highly Corrosion Resistant Proprietary FRP Formulation





**Dimensions and illustrations are approximate and for reference only. Motors are subject to change at any time.*

The GENESYS® 6x4-11 non-metallic, end-suction centrifugal pump line is designed and engineered to provide highly efficient pumping solutions. The composite construction with the option of no wetted metal parts, gives it compatibility with many aggressive chemistries. The unique enclosed-impeller and time-tested volute design render 4 pole BEP performance at 80% efficiency.

- 300 gpm [POR - 592 rpm]
- 1500 gpm [POR - 1780 rpm]
- 135 Feet Head Shut-Off
- Peak Efficiency 80%
- ANSI/ASME - B73lean
- Highly Corrosion Resistant Proprietary FRP Formulation

