



The compact EURO8000-SW model, based on a high quality, reliable and efficient industrial pump, delivers big flow for little power. It is great for smaller and simple ponds (8000 liters per hour or less).



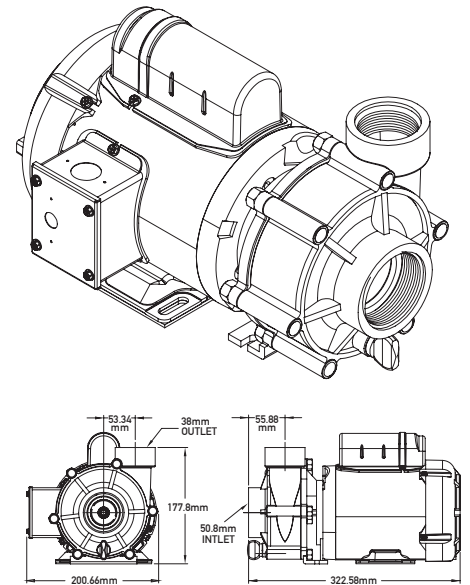
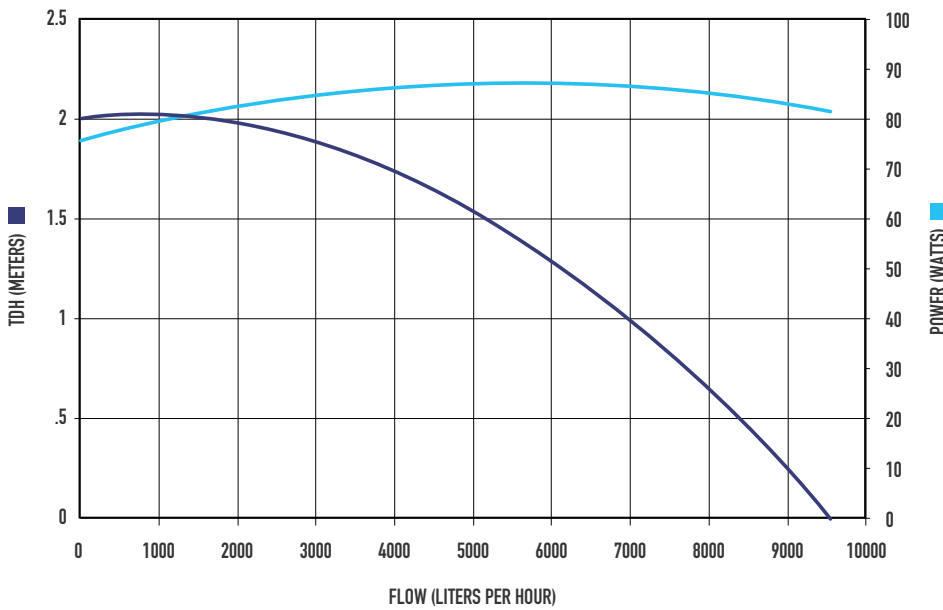
3 YEAR LIMITED WARRANTY



2.4 METER CORD SET



IP 54 FAN COOLED MOTOR



*Dimensions and illustrations are approximate and for reference only. Motors are subject to change at any time.

FLOW @ TOTAL DYNAMIC HEAD (METERS)	.22	.58	1	1.5	2.04
LPM	151.42	136.27	117.35	83.28	34.06
LPH	9085	8176	7041	4997	2044

INLET	OUTLET	MAX FLOW (LPH)	MAX HEAD (METERS)	MAX POWER (WATTS)	MAX CURRENT (AMPS)	@ (VOLTS)	MOTOR kW	MOTOR ENCLOSURE	IMPELLER
DN50	DN40	9085	2.04	87	.65	230	.09	IP 54	5



The compact EURO10000-SW model, based on a high quality, reliable and efficient industrial pump, delivers big flow for little power. It is great for smaller and simple ponds (10000 liters per hour or less).



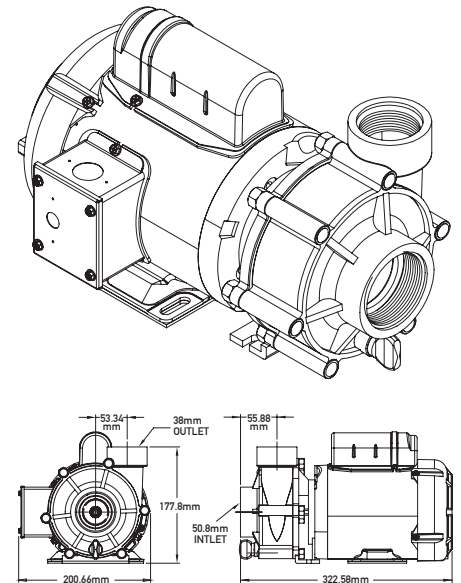
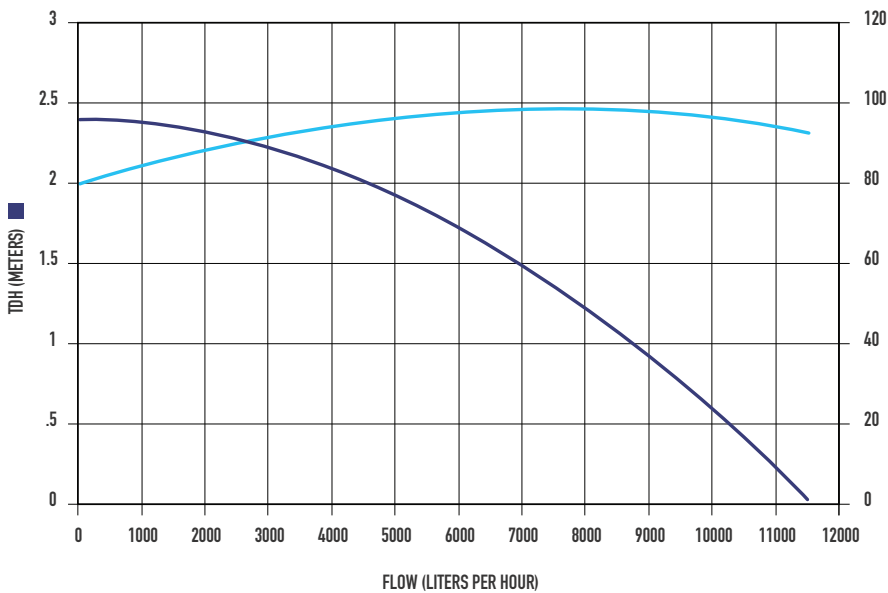
3 YEAR LIMITED WARRANTY



2.4 METER CORD SET



IP 54 FAN COOLED MOTOR



*Dimensions and illustrations are approximate and for reference only. Motors are subject to change at any time.

FLOW @ TOTAL DYNAMIC HEAD (METERS)	.32	1.01	1.60	2.09	2.32
LPM	177.92	143.85	105.98	68.13	30.28
LPH	10675	8631	6359	4088	1817

INLET	OUTLET	MAX FLOW (LPH)	MAX HEAD (METERS)	MAX POWER (WATTS)	MAX CURRENT (AMPS)	@ (VOLTS)	MOTOR KW	MOTOR ENCLOSURE	IMPELLER
DN50	DN40	10675	2.32	98	.69	230	1.0	IP 54	8



The compact EURO12000-SW model, based on a high quality, reliable and efficient industrial pump, delivers big flow for little power. It is great for smaller and simple ponds (12000 liters per hour or less).



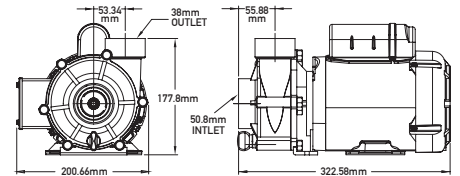
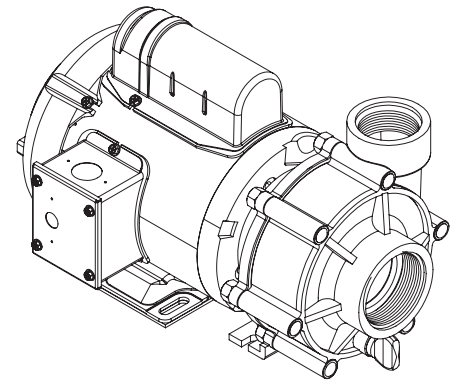
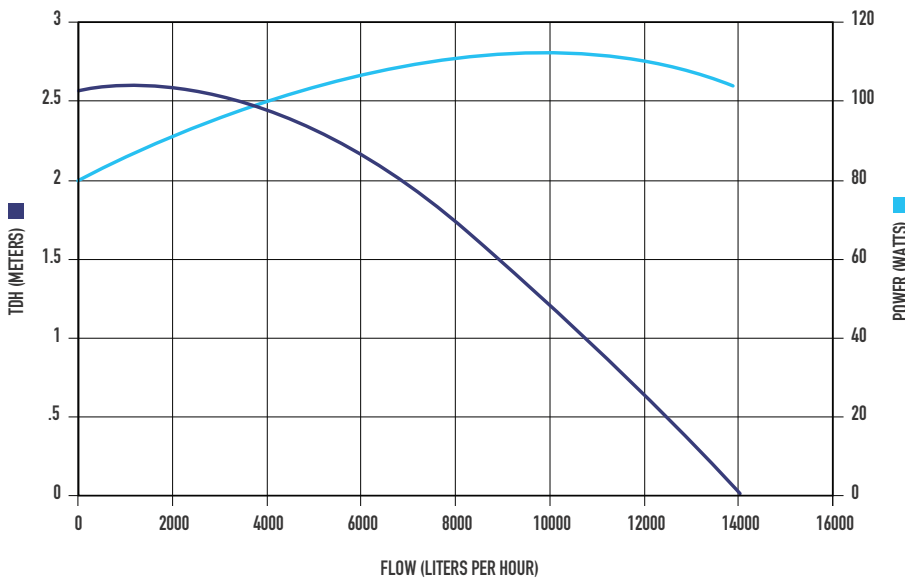
3 YEAR
LIMITED WARRANTY



2.4 METER
CORD SET



IP 54
FAN COOLED MOTOR



*Dimensions and illustrations are approximate and for reference only. Motors are subject to change at any time.

FLOW @ TOTAL DYNAMIC HEAD (METERS)	0.42	1.25	1.98	2.41	2.55
LPM	211.98	162.77	117.35	75.70	37.85
LPH	12719	9766	7041	4542	2271

INLET	OUTLET	MAX FLOW (LPH)	MAX HEAD (METERS)	MAX POWER (WATTS)	MAX CURRENT (AMPS)	@ (VOLTS)	MOTOR kW	MOTOR ENCLOSURE	IMPELLER
DN50	DN40	12719	2.55	112	.75	230	1.1	IP 54	9



The EURO15000-SW model, based on a high quality, reliable and efficient industrial pump, has set the standard by which all others are measured. It is a perfect blend of medium pressure and ample flow for the majority of ponds.



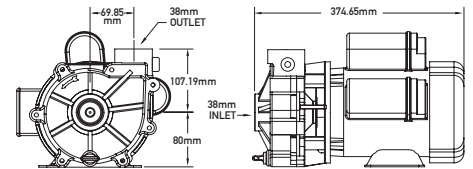
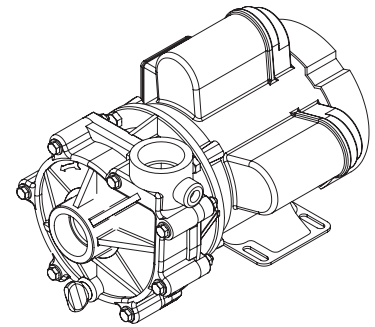
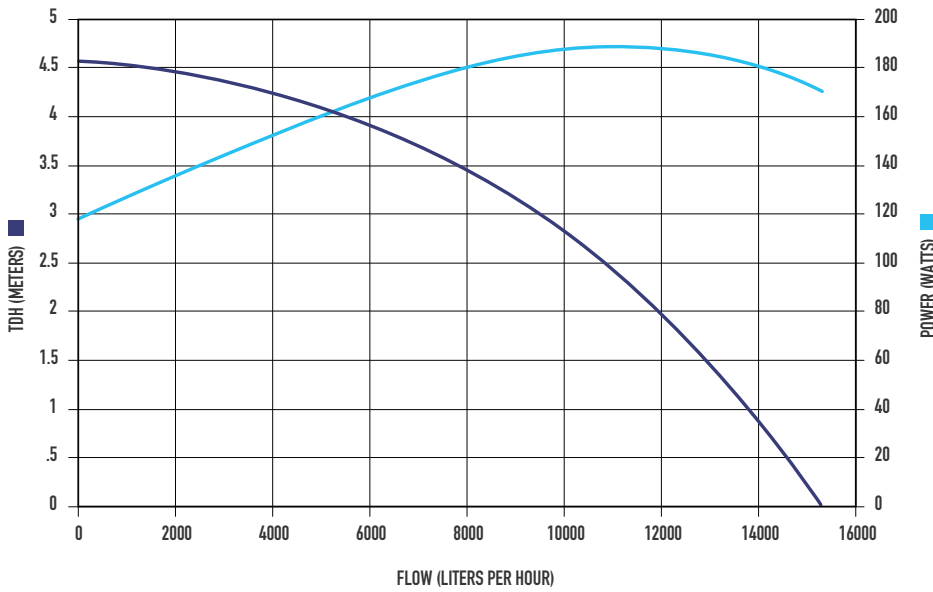
3 YEAR
LIMITED WARRANTY



2.4 METER
CORD SET



IP 54
FAN COOLED MOTOR



*Dimensions and illustrations are approximate and for reference only. Motors are subject to change at any time.

FLOW @ TOTAL DYNAMIC HEAD (METERS)	0.67	2.59	3.64	4.18	4.46
LPM	238.48	177.92	121.13	75.70	34.07
LPH	14309	10675	7268	4542	2044

INLET	OUTLET	MAX FLOW (LPH)	MAX HEAD (METERS)	MAX POWER (WATTS)	MAX CURRENT (AMPS)	@ (VOLTS)	MOTOR kW	MOTOR ENCLOSURE	IMPELLER
DN40	DN40	14309	4.46	189	1.18	230	1.9	IP 54	6



The EURO18000-SW model, based on a high quality, reliable and efficient industrial pump, has set the standard by which all others are measured. It is a perfect blend of medium pressure and ample flow for the majority of ponds.



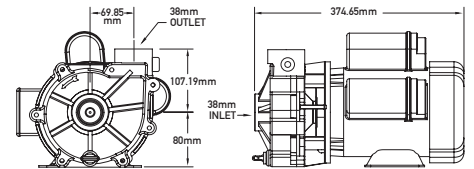
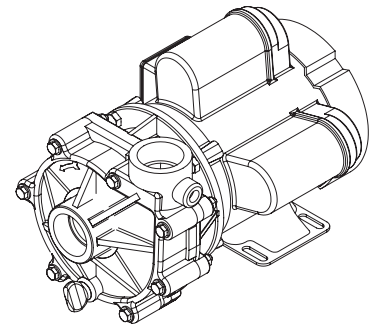
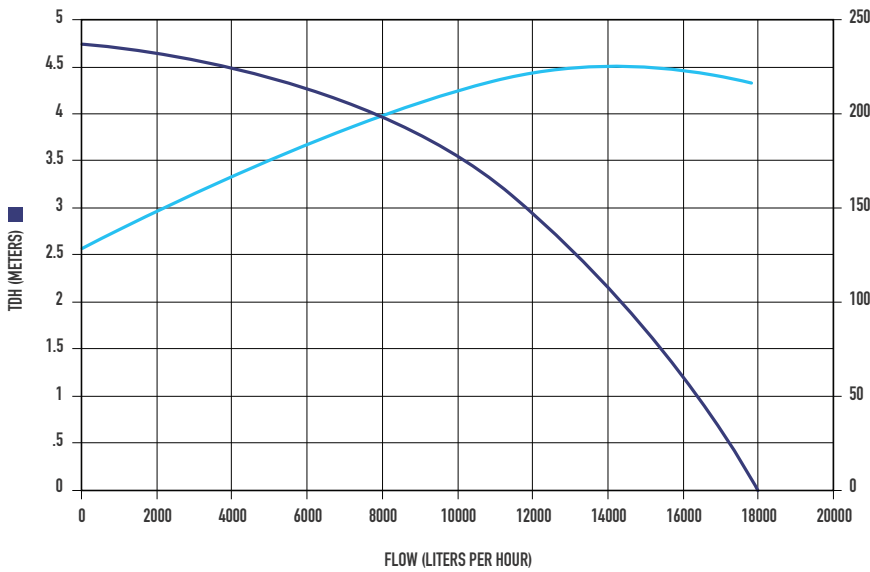
**3 YEAR
LIMITED WARRANTY**



**2.4 METER
CORD SET**



**IP 54
FAN COOLED MOTOR**



*Dimensions and illustrations are approximate and for reference only. Motors are subject to change at any time.

FLOW @ TOTAL DYNAMIC HEAD (METERS)	0.91	2.59	3.74	4.27	4.64
LPM	276.33	215.77	155.20	98.42	34.07
LPH	16580	12946	9312	5905	2044

INLET	OUTLET	MAX FLOW (LPH)	MAX HEAD (METERS)	MAX POWER (WATTS)	MAX CURRENT (AMPS)	@ (VOLTS)	MOTOR kW	MOTOR ENCLOSURE	IMPELLER
DN40	DN40	16580	4.64	225	1.37	230	2.3	IP 54	7



The expansive design of the EURO17000-SW, based on a high quality, reliable and efficient industrial pump, meets today's increased market demand with a peak performance of 17000 liters per hour while only requiring 225 watts.



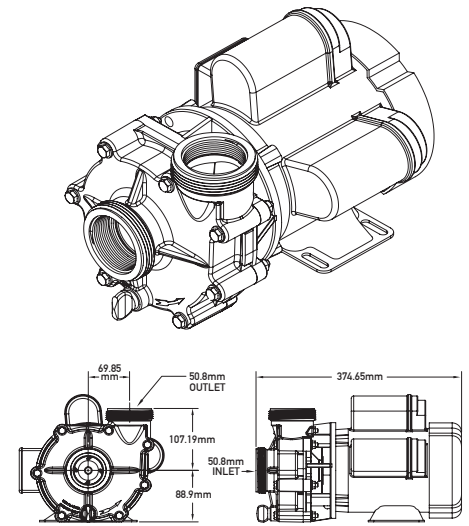
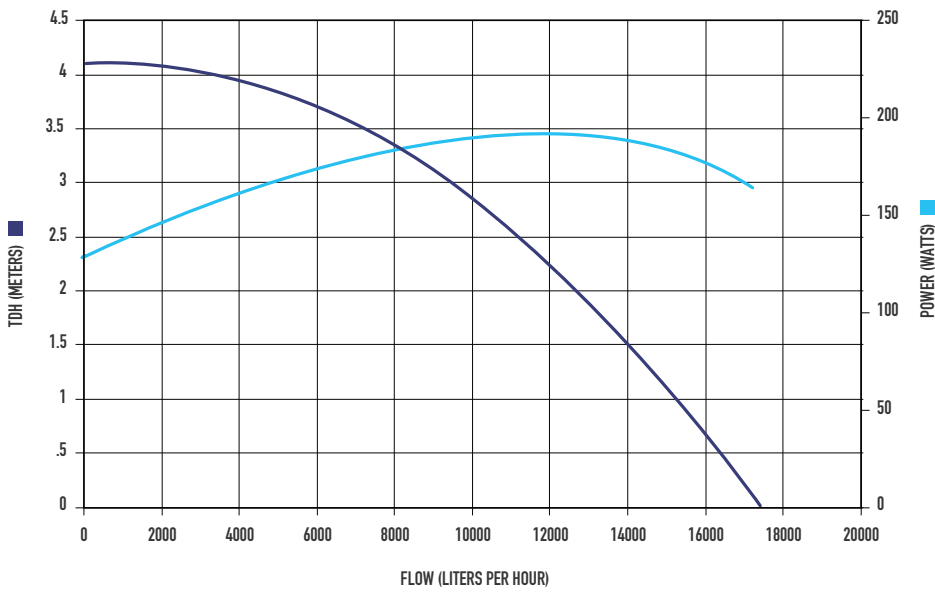
3 YEAR
LIMITED WARRANTY



2.4 METER
CORD SET



IP 54
FAN COOLED MOTOR



*Dimensions and illustrations are approximate and for reference only. Motors are subject to change at any time.

FLOW @ TOTAL DYNAMIC HEAD (METERS)	0.34	1.01	3.01	3.75	4.03
LPM	280.12	219.55	158.98	98.42	34.07
LPH	16807	13173	9539	5905	2044

INLET	OUTLET	MAX FLOW (LPH)	MAX HEAD (METERS)	MAX POWER (WATTS)	MAX CURRENT (AMPS)	@ (VOLTS)	MOTOR kW	MOTOR ENCLOSURE	IMPELLER
DN50	DN50	16807	4.03	196	1.22	230	2.0	IP 54	6



The expansive design of the EURO25000-SW, based on a high quality, reliable and efficient industrial pump, meets today's increased market demand with a peak performance of 25000 liters per hour while only requiring 325 watts.



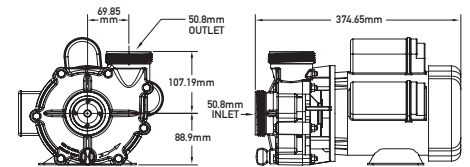
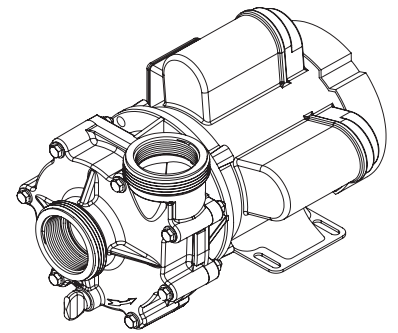
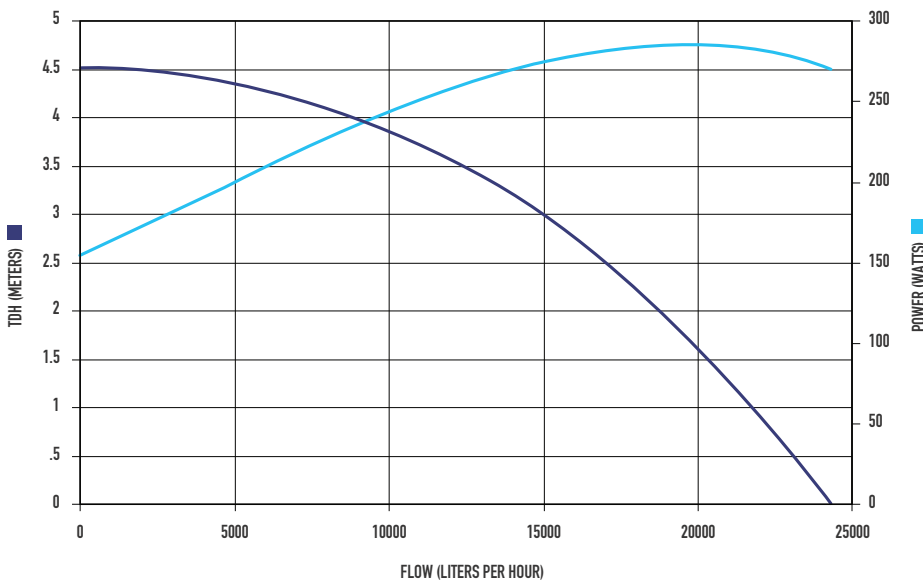
3 YEAR
LIMITED WARRANTY



2.4 METER
CORD SET



IP 54
FAN COOLED MOTOR



*Dimensions and illustrations are approximate and for reference only. Motors are subject to change at any time.

FLOW @ TOTAL DYNAMIC HEAD (METERS)	0.67	2.35	3.42	4.15	4.45
LPM	378.53	295.27	211.98	128.70	41.63
LPH	22712	17716	12719	7722	2498

INLET	OUTLET	MAX FLOW (LPH)	MAX HEAD (METERS)	MAX POWER (WATTS)	MAX CURRENT (AMPS)	@ (VOLTS)	MOTOR kW	MOTOR ENCLOSURE	IMPELLER
DN50	DN50	22712	4.45	284	2.21	230	2.8	IP 54	8