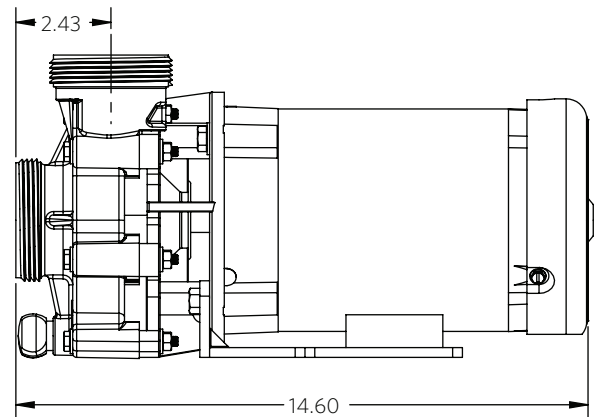
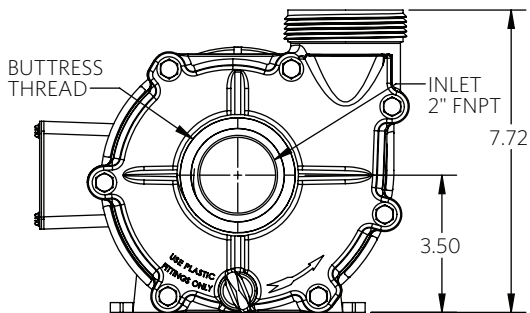
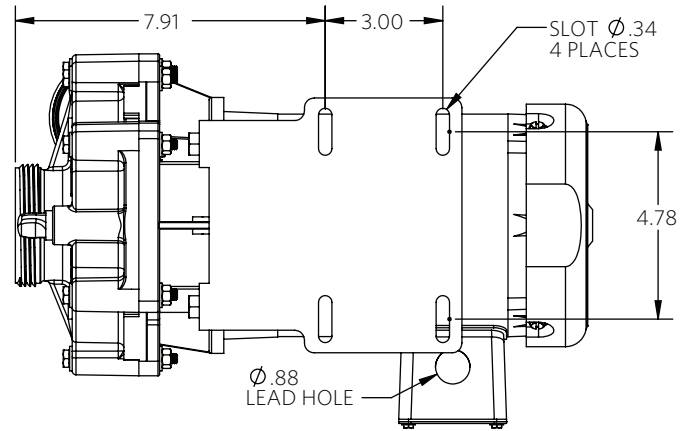
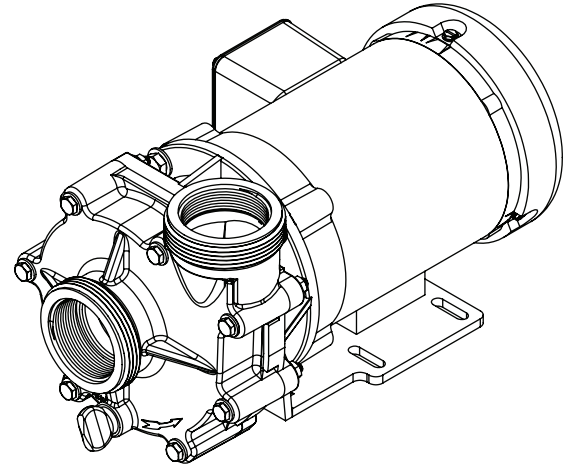
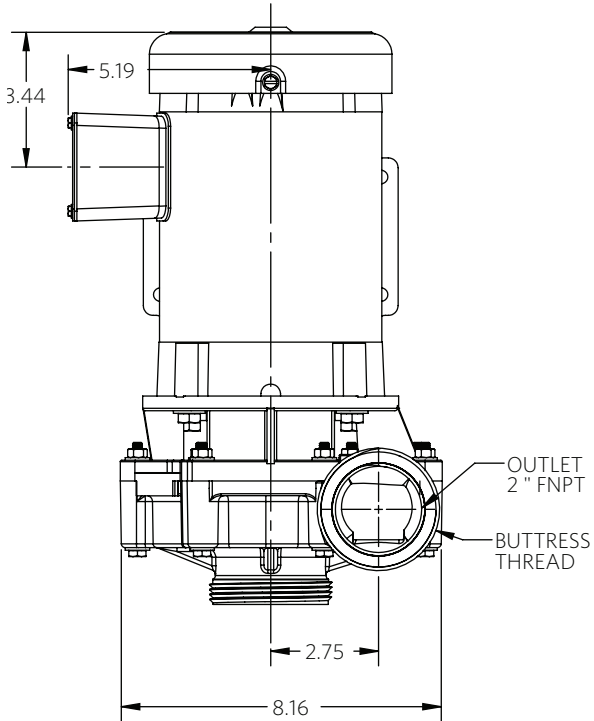
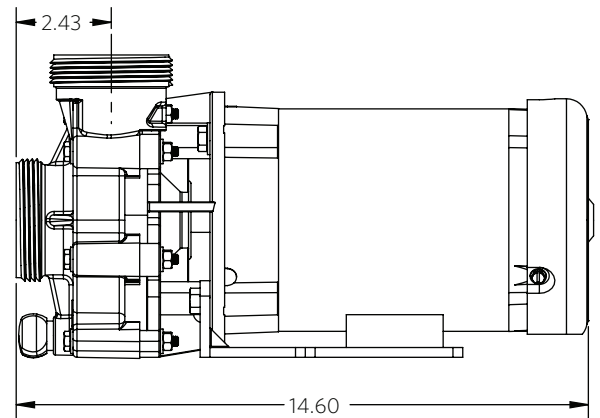
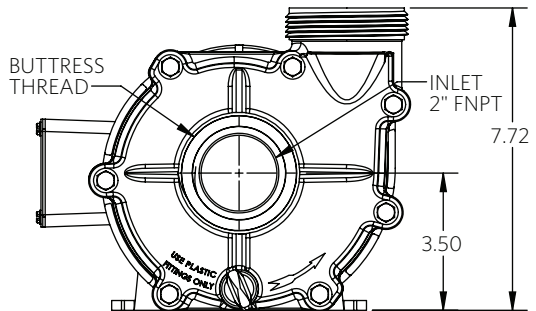
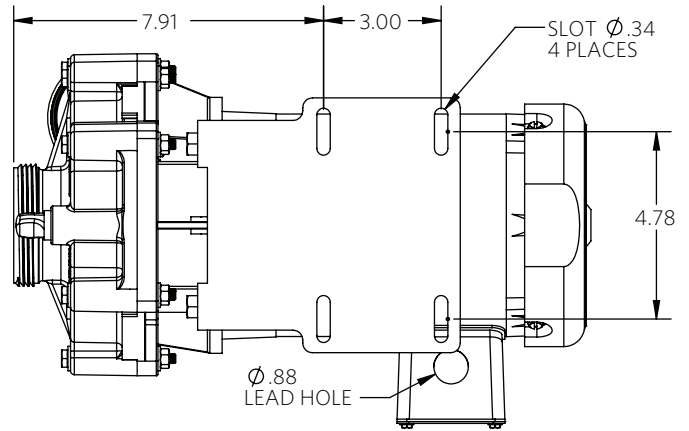
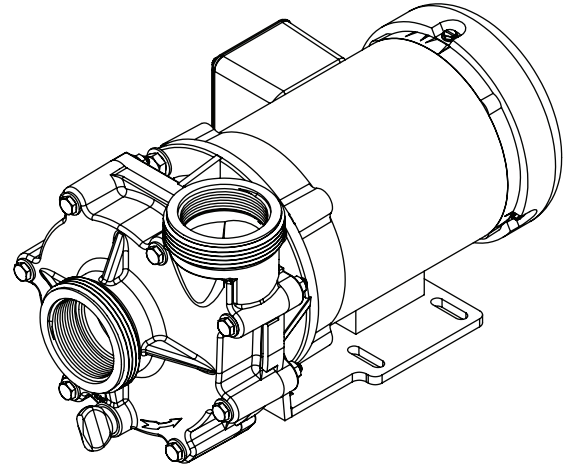
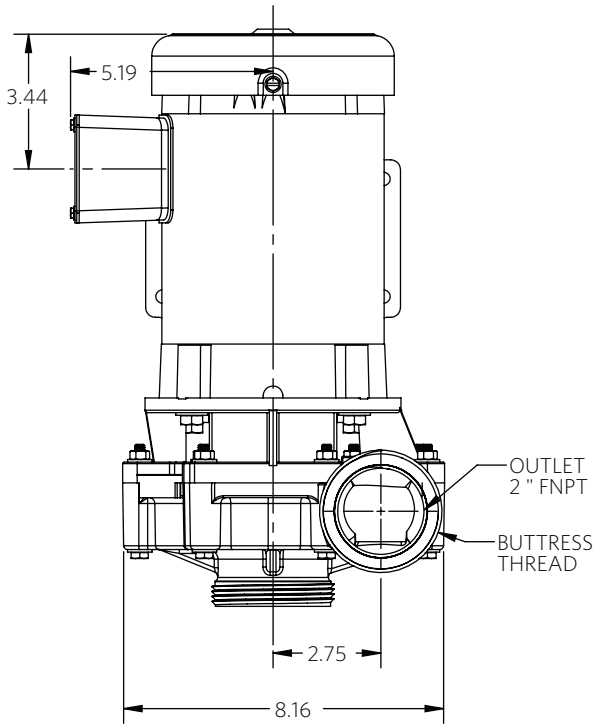


\*Dimensions and illustrations are approximate and for reference only.  
For engineering approved documentation contact MDM Inc.

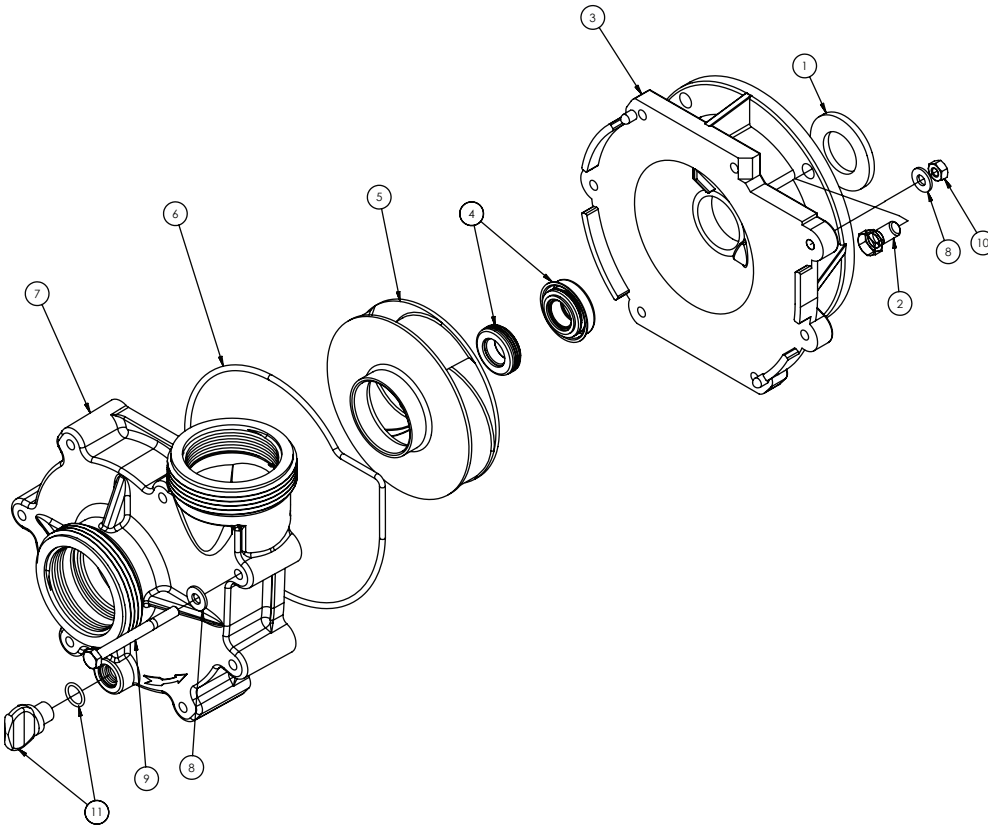


\*Dimensions and illustrations are approximate and for reference only. For engineering approved documentation contact MDM Inc.

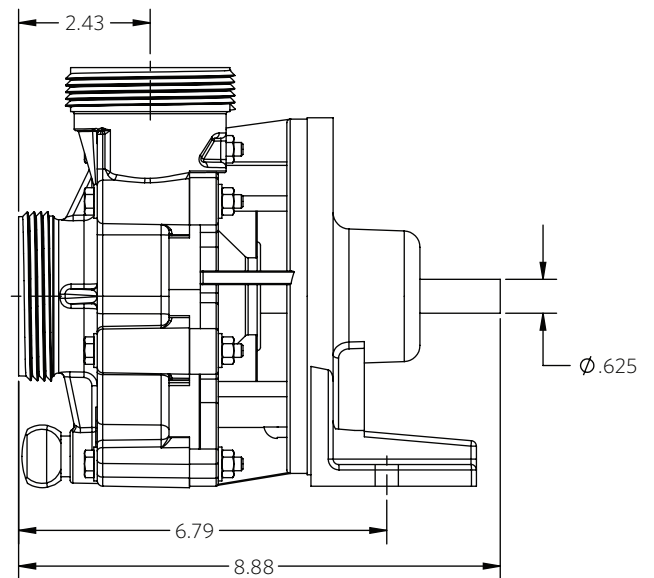
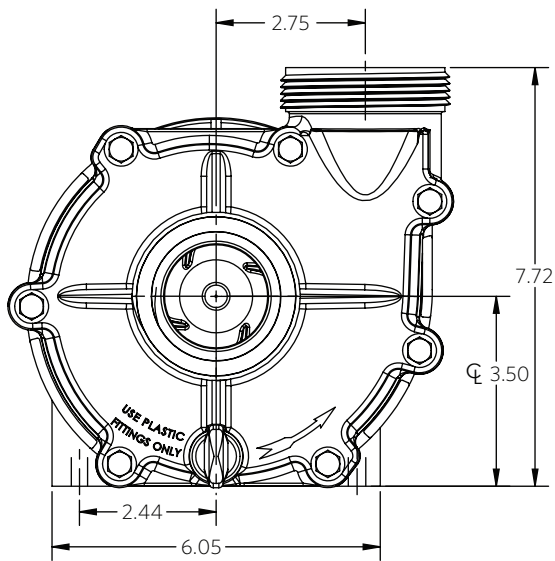


\*Dimensions and illustrations are approximate and for reference only.  
For engineering approved documentation contact MDM Inc.

## Advance® 4000 Dimensional Drawings - Exploded View and Pedestal



NUMBER	DESCRIPTION
01	SLINGER
02	M-BOLT
03	BRACKET
04	MECHANICAL SEAL
05	IMPELLER
06	VOLUTE O-RING
07	VOLUTE
8, 9, 10	HARDWARE KIT
11	DRAIN PLUG & O-RING



\*Dimensions and illustrations are approximate and for reference only.  
For engineering approved documentation contact MDM Inc.