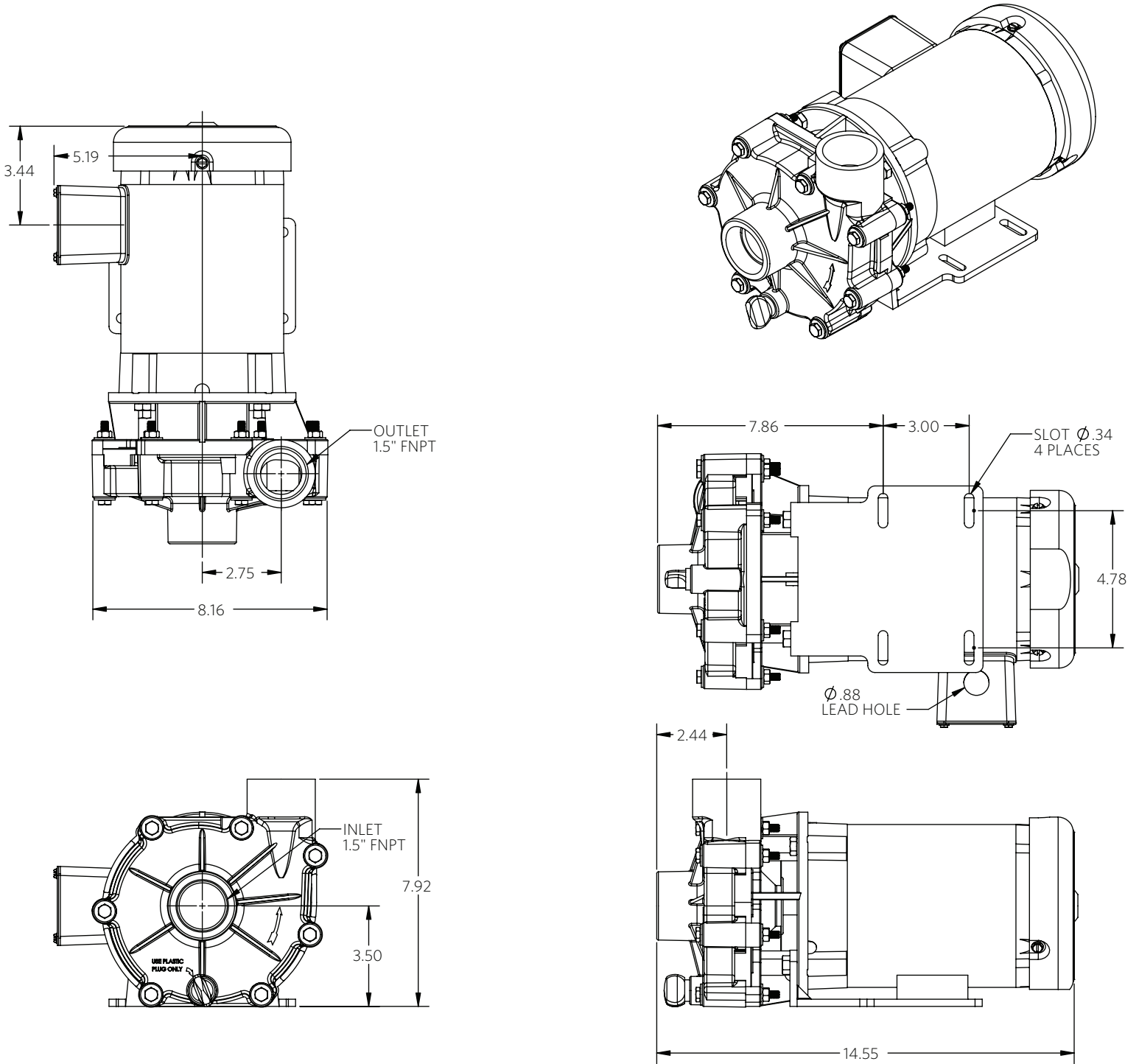
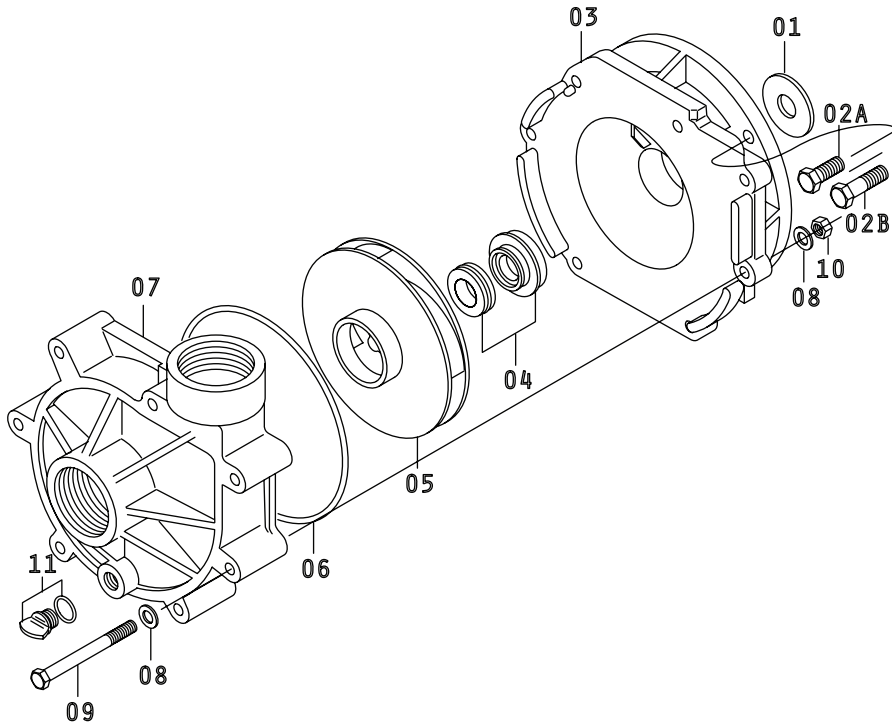


\*Dimensions and illustrations are approximate and for reference only. For engineering approved documentation contact MDM Inc.

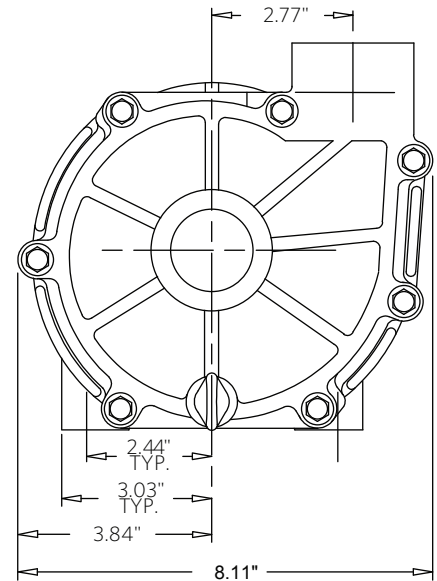
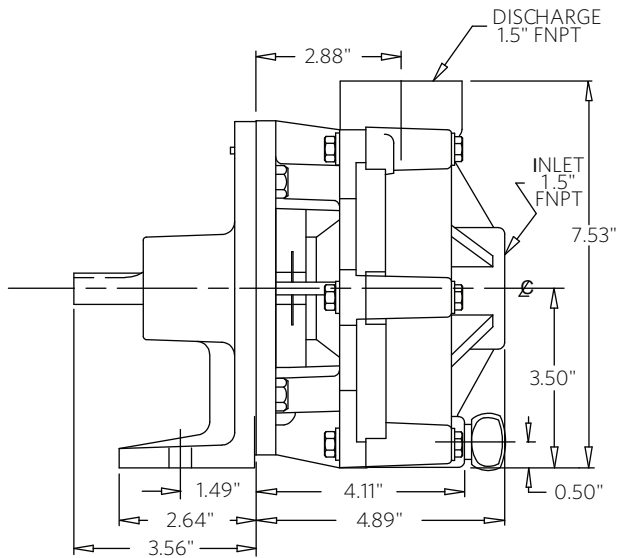


\*Dimensions and illustrations are approximate and for reference only. For engineering approved documentation contact MDM Inc.

Advance® 1000 Dimensional Drawings - Exploded View and Pedestal



NUMBER	QTY	DESCRIPTION
01	1	SLINGER
02A, 02B	4	M-BOLT
03	1	BRACKET
04	1	MECHANICAL SEAL
05	1	IMPELLER
06	1	O-RING
07	1	VOLUTE
08	14	WASHER
09	7	PUMP BOLT
10	7	PUMP NUT
11	1	DRAIN PLUG & O-RING



\*Dimensions and illustrations are approximate and for reference only. For engineering approved documentation contact MDM Inc.